

# Frame

## Kitchens & workbenches

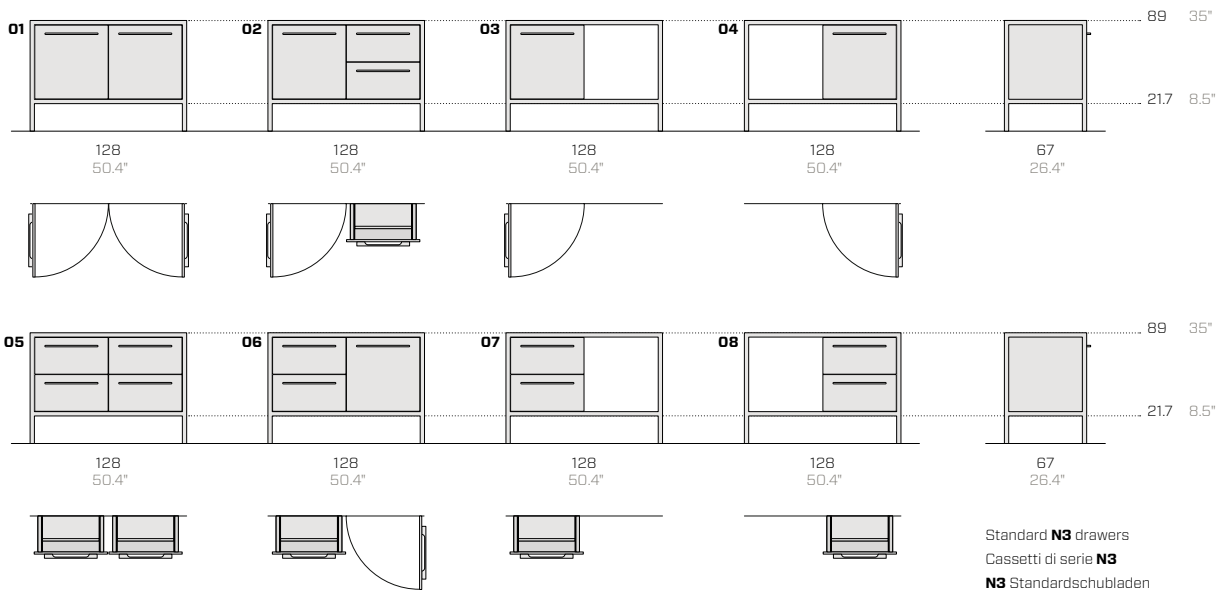
Salvatore Indriolo, 2018-20



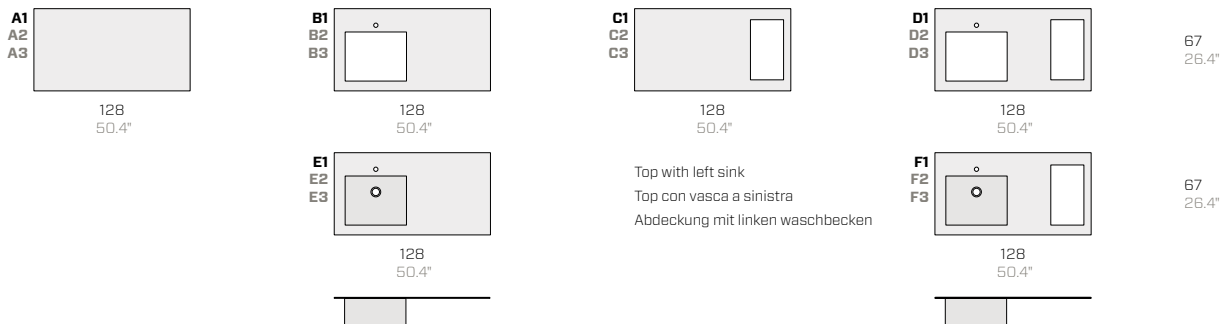
**archiproducts**  
DESIGN AWARDS  
—  
WINNER 2018



Bases / Basi / Basen



Top / Top / Abdeckung



Wheel kit with discs matching the product colour / Kit ruote con dischi in tinta / Radsatz mit Scheiben, die der Produktfarbe entsprechen



## Product / Prodotto / Produkt

## Packaging / Imballo / Verpackung

No.	Code	Dimensions (w-d-h)			Weight	Dimensions (w-d-h)			Weight	Vol pkg
N.	Codice	Dimensioni (l-p-h)			Peso	Dimensioni (l-p-h)			Peso	Vol. collo
Nr.	Code	Abmessungen (b-t-h)			Gewicht	Abmessungen (b-t-h)			Gewicht	Vol. Kollo
		cm			kg	cm			kg	mc

## Bases / Basi / Basen

<b>01</b>	FR85	128	67	89	-	132	71	119	-	1.20
<b>02</b>	FR91D	128	67	89	-	132	71	119	-	1.20
<b>03</b>	FR84S	128	67	89	60	132	71	119	70	1.20
<b>04</b>	FR84D	128	67	89	55	132	71	119	65	1.20
<b>05</b>	FR93	128	67	89	-	132	71	119	-	1.20
<b>06</b>	FR91S	128	67	89	-	132	71	119	-	1.20
<b>07</b>	FR92S	128	67	89	55	132	71	119	65	1.20
<b>08</b>	FR92D	128	67	89	-	132	71	119	-	1.20

## Top made of Fenix / Top in Fenix / Abdeckung in Fenix

<b>A1</b>	FRB21F	128	67	1.2	13	143	82	17	18	0.20
<b>B1</b>	FRB22F	128	67	1.2	13	143	82	17	18	0.20
<b>C1</b>	FRB23F	128	67	1.2	13	143	82	17	18	0.20
<b>D1</b>	FRB24F	128	67	1.2	13	143	82	17	18	0.20
<b>E1</b>	FRB25F	128	67	1.2	16	143	82	30	21	0.40
<b>F1</b>	FRB26F	128	67	1.2	16	143	82	30	21	0.40

## Satin finish stainless steel top (Barazza) / Top in acciaio Inox satinato (Barazza) / Abdeckung in Edelstahl mit Satin-Finish (Barazza)

<b>A2</b>	FRB31S	128	67	0.4	27	137	80	21	37	0.30
<b>B2</b>	FRB32S	128	67	0.4	20	137	80	21	30	0.30
<b>C2</b>	FRB33S	128	67	0.4	23	137	80	21	33	0.30
<b>D2</b>	FRB34S	128	67	0.4	17	137	80	21	27	0.30
<b>E2</b>	FRB35S	128	67	0.4	25	137	80	50	35	0.60
<b>F2</b>	FRB36S	128	67	0.4	22	137	80	50	32	0.60

## Vintage finish stainless steel top (Barazza) / Top in acciaio Inox Vintage (Barazza) / Top in Edelstahl mit Vintage-Finish (Barazza)

<b>A3</b>	FRB41V	128	67	0.4	27	137	80	21	37	0.30
<b>B3</b>	FRB42V	128	67	0.4	20	137	80	21	30	0.30
<b>C3</b>	FRB43V	128	67	0.4	23	137	80	21	33	0.30
<b>D3</b>	FRB44V	128	67	0.4	17	137	80	21	27	0.30
<b>E3</b>	FRB45V	128	67	0.4	25	137	80	50	35	0.60
<b>F3</b>	FRB46V	128	67	0.4	22	137	80	50	32	0.60

## Back panel for freestanding kitchen / Schiena per cucina freestanding / Rückwand für freistehende Küche

-	FRK01S1	120	3	60	6	124	64	7	7	0.10
---	---------	-----	---	----	---	-----	----	---	---	------

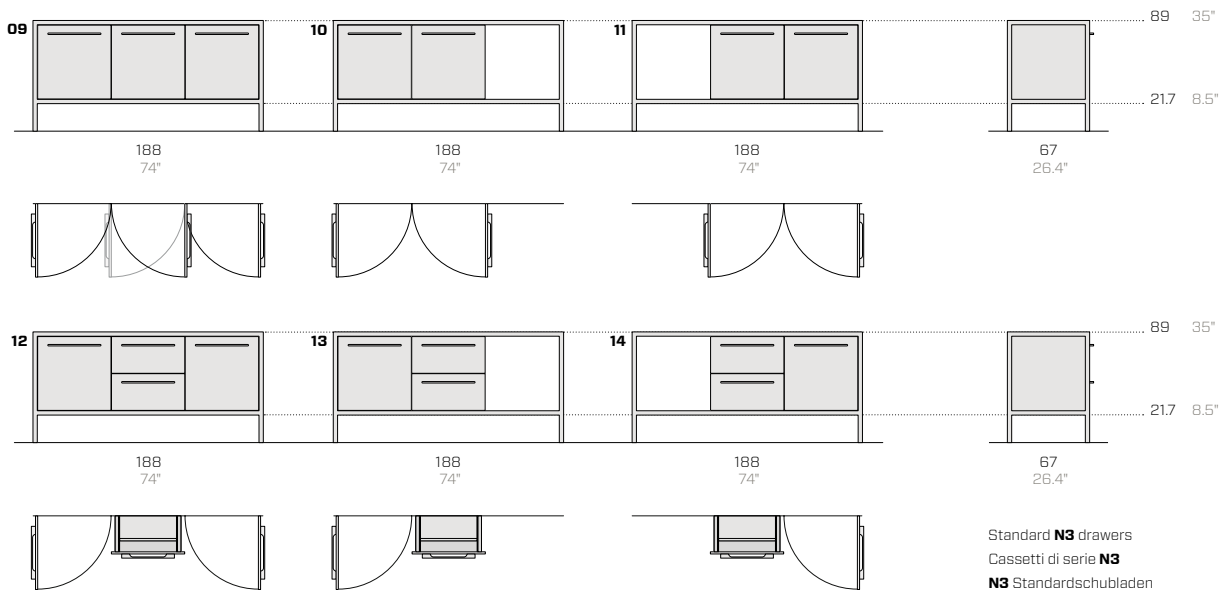
## Floor attachment cover kit / Kit di copertura allacciamenti a pavimento / Set für Abdeckung der Anschlüsse am Boden

-	FRK03A1	60	20	25	3	62	22	27	5	0.10
---	---------	----	----	----	---	----	----	----	---	------

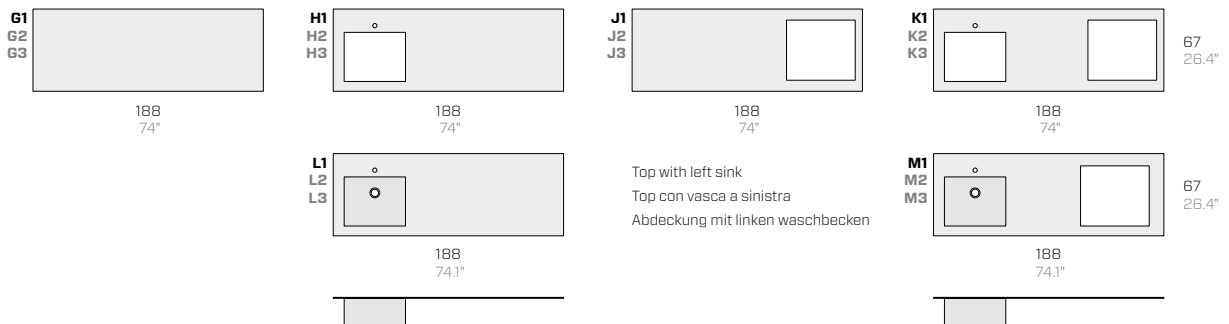
## Wheel kit with discs matching the product colour / Kit ruote con dischi in tinta / Radsatz mit Scheiben, die der Produktfarbe entsprechen

-	FRK31R	8	3.5	11	-	-	-	-	-	-
---	--------	---	-----	----	---	---	---	---	---	---

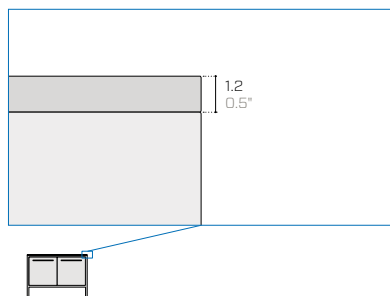
Bases / Basi / Basen



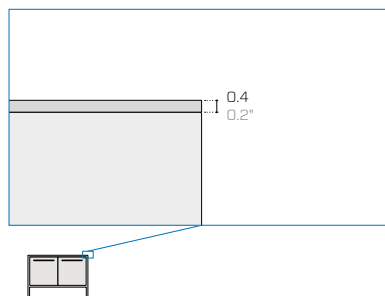
Top / Top / Abdeckung



Top thickness / Spessore dei top / Stärke der Abdeckung



Top made of Fenix  
Top in Fenix  
Abdeckung in Fenix



Stainless steel top  
Top in acciaio  
Top in Edelstahl

## Product / Prodotto / Produkt

## Packaging / Imballo / Verpackung

No.	Code	Dimensions (w-d-h)	Weight	Dimensions (w-d-h)	Weight	Vol pkg
N.	Codice	Dimensioni (l-p-h)	Peso	Dimensioni (l-p-h)	Peso	Vol. collo
Nr.	Code	Abmessungen (b-t-h)	Gewicht	Abmessungen (b-t-h)	Gewicht	Vol. Kollo
		cm	kg	cm	kg	mc

## Bases / Basi / Basen

<b>09</b>	FRB7	188 67 89	92	192 71 119	102	1.70
<b>10</b>	FRB6S	188 67 89	87	192 71 119	97	1.70
<b>11</b>	FRB6D	188 67 89	87	192 71 119	97	1.70
<b>12</b>	FRB3	188 67 89	100	192 71 119	110	1.70
<b>13</b>	FRB2S	188 67 89	95	192 71 119	105	1.70
<b>14</b>	FRB2D	188 67 89	95	192 71 119	105	1.70

## Top made of Fenix / Top in Fenix / Abdeckung in Fenix

<b>G1</b>	FRB51F	188 67 1.2	19	203 82 17	24	0.30
<b>H1</b>	FRB52F	188 67 1.2	19	203 82 17	24	0.30
<b>J1</b>	FRB53F	188 67 1.2	19	203 82 17	24	0.30
<b>K1</b>	FRB54F	188 67 1.2	19	203 82 17	24	0.30
<b>L1</b>	FRB55F	188 67 1.2	22	203 82 30	27	0.50
<b>M1</b>	FRB56F	188 67 1.2	22	203 82 30	27	0.50

## Satin finish stainless steel top (Barazza) / Top in acciaio Inox satinato (Barazza) / Abdeckung in Edelstahl mit Satin-Finish (Barazza)

<b>G2</b>	FRB61S	188 67 0.4	40	197 80 21	50	0.40
<b>H2</b>	FRB62S	188 67 0.4	33	197 80 21	43	0.40
<b>J2</b>	FRB63S	188 67 0.4	31	197 80 21	41	0.40
<b>K2</b>	FRB64S	188 67 0.4	25	197 80 21	35	0.40
<b>L2</b>	FRB65S	188 67 0.4	38	197 80 50	48	0.80
<b>M2</b>	FRB66S	188 67 0.4	30	197 80 50	40	0.80

## Vintage finish stainless steel top (Barazza) / Top in acciaio Inox Vintage (Barazza) / Top in Edelstahl mit Vintage-Finish (Barazza)

<b>G3</b>	FRB71V	188 67 0.4	40	197 80 21	50	0.40
<b>H3</b>	FRB72V	188 67 0.4	33	197 80 21	43	0.40
<b>J3</b>	FRB73V	188 67 0.4	31	197 80 21	41	0.40
<b>K3</b>	FRB74V	188 67 0.4	25	197 80 21	35	0.40
<b>L3</b>	FRB75V	188 67 0.4	38	197 80 50	48	0.80
<b>M3</b>	FRB76V	188 67 0.4	30	197 80 50	40	0.80

## Back panel for freestanding kitchen / Schiena per cucina freestanding / Rückwand für freistehende Küche

-	FRK02S2	180 3 60	9	184 64 7	10	0.10
---	---------	----------	---	----------	----	------

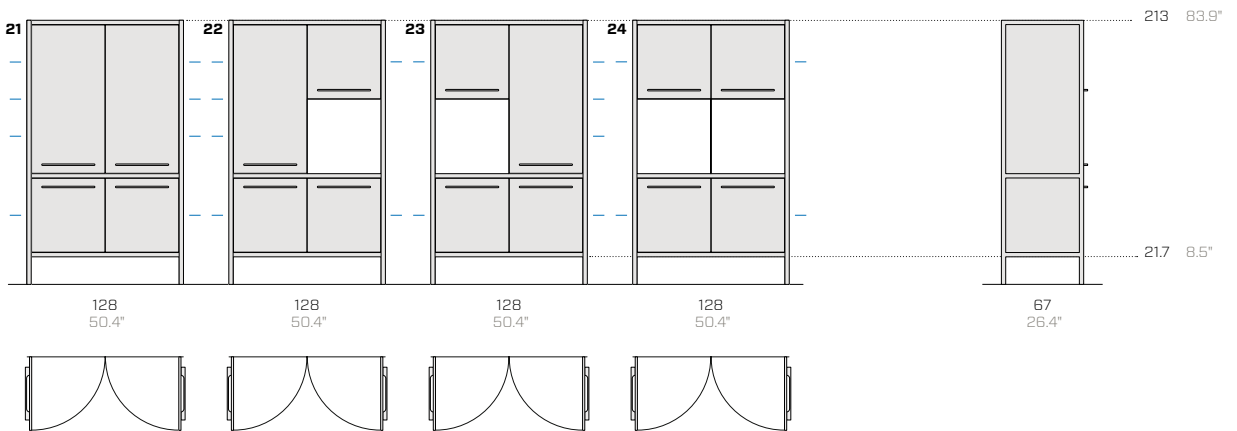
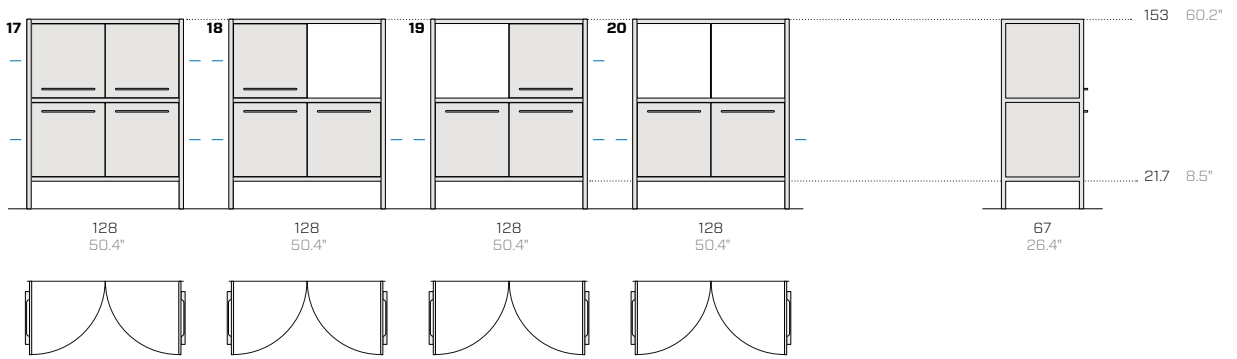
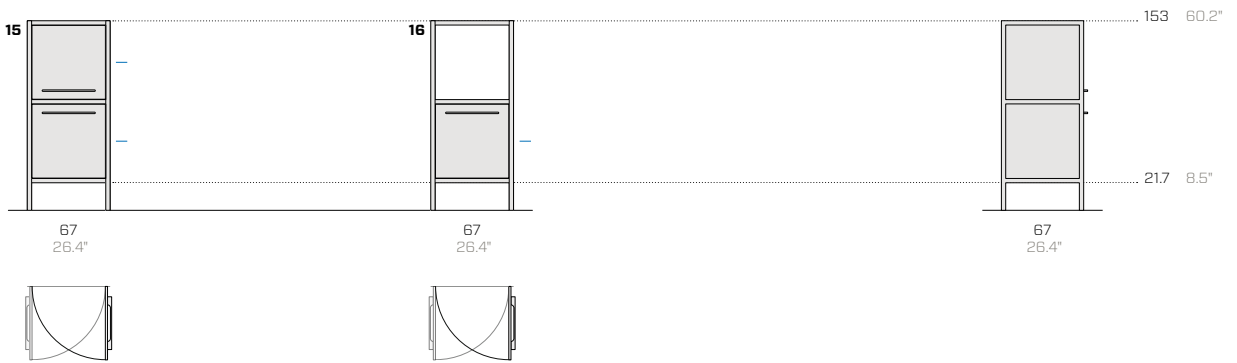
## Floor attachment cover kit / Kit di copertura allacciamenti a pavimento / Set für Abdeckung der Anschlüsse am Boden

-	FRK03A1	60 20 25	3	62 22 27	5	0.10
---	---------	----------	---	----------	---	------

## Wheel kit with discs matching the product colour / Kit ruote con dischi in tinta con il prodotto / Radsatz mit Scheiben, die der Produktfarbe entsprechen

-	FRK31R8	8 3.5 11	-	- - -	-	-
---	---------	----------	---	-------	---	---

Tall units / Colonne / Säulen



## Product / Prodotto / Produkt

## Packaging / Imballo / Verpackung

No.	Code	Dimensions (w-d-h)	Weight	Dimensions (w-d-h)	Weight	Vol pkg
N.	Codice	Dimensioni (l-p-h)	Peso	Dimensioni (l-p-h)	Peso	Vol. collo
Nr.	Code	Abmessungen (b-t-h)	Gewicht	Abmessungen (b-t-h)	Gewicht	Vol. Kollo
		cm	kg	cm	kg	mc

## Tall units / Colonne / Säulen

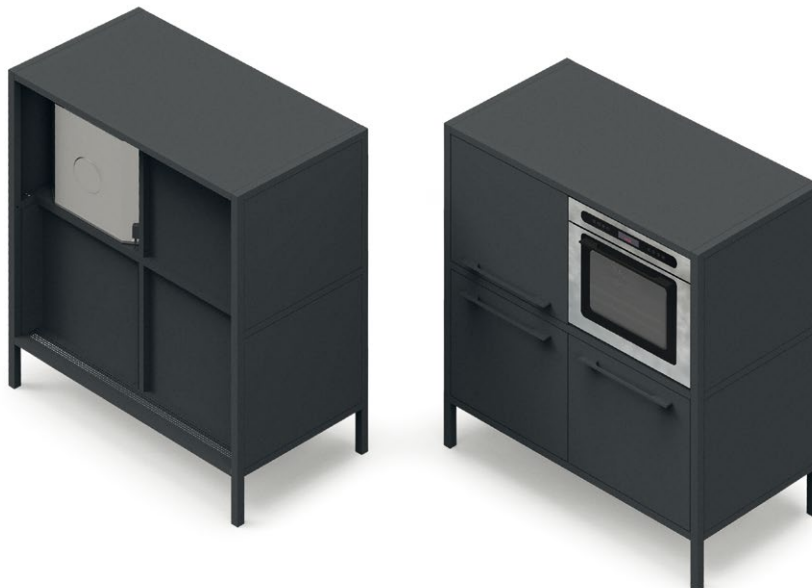
15	FRC110	67 67 153	84	200 80 55	99	0.90
16	FRC111	67 67 153	79	200 80 55	94	0.90
17	FRC112	128 67 153	135	200 80 95	170	1.60
18	FRC113	128 67 153	130	200 80 95	165	1.60
19	FRC114	128 67 153	130	200 80 95	165	1.60
20	FRC115	128 67 153	125	200 80 95	160	1.60
21	FRC116	128 67 213	175	240 80 95	225	1.90
22	FRC117	128 67 213	170	240 80 95	220	1.90
23	FRC118	128 67 213	170	240 80 95	220	1.90
24	FRC119	128 67 213	165	240 80 95	215	1.90

Back panel for freestanding tall unit / Schiena per colonna freestanding / Rückwand für freistehende Säule

-	FRK24F1	60 3 124	6	64 64 10	7	0.10
-	FRK25F2	120 3 124	12	124 64 7	13	0.10
-	FRK27F4	120 3 184	18	124 64 10	20	0.10

Floor attachment cover kit / Kit di copertura allacciamenti a pavimento / Set für Abdeckung der Anschlüsse am Boden

-	FRK03A1	60 20 25	3	62 22 27	5	0.10
---	---------	----------	---	----------	---	------



Drawer kits / Kit cassetti / Schubladen-Set

**N1**  
49 19.3"  
40 15.7"  
57 22.4"

**N2**  
6.5 2.6"  
53.5 21.1"

**N3**  
65 25.6"  
50 19.7"

50 19.7"    128 50.4"  
19 7.5"  
40 15.7"  
53.5 21.1"  
55 21.7"    55 21.7"    55 21.7"

**N1**  
Kit with 1 large drawer  
Kit 1 cassettone  
Set 1 Kommode

**N2**  
Kit with 2 drawers  
Kit 2 cassetti  
Set 2 Schubladen

**N3**  
Kit with 2 drawers + 1 inner drawer  
Kit 2 cassetti + cassetto interno  
Set 2 Schubladen + 1 Innenfach

Appliances and accessories / Elettrodomestici e accessori / Haushaltsgeräte und Zubehör

**BARAZZA**  
P1 P2 P3 P4

Electric induction hobs  
Piani a induzione elettrici  
Elektrische Induktionskochfelder

**ELECTROLUX**  
Q

Gas barbecue  
Barbecue a gas  
Gasgrill

**BARAZZA**    **ELECTROLUX**    **AEG**  
R1 R2 R3

Ovens  
Forni  
Öfen

**AEG**  
S1 S2 S3

Microwave  
Microonde  
Microwelle

Coffee maker  
Macchina del caffè  
Kaffeemaschine

Wine cooler  
Cantina  
Weinkühlschrank

**SMEG**  
T

Integrated dishwasher  
Lavastoviglie integrata  
Integrierter Geschirrspüler

**BARAZZA**  
U

Under-top basin  
Vasca satinata sottotop  
Satin Unterbaubecken

**BARAZZA**  
V

Roll-up draining mat  
Griglia multiuso avvolgibile  
Aufrollbare Abtropfmatte

**BARAZZA**  
W1 W2

Steel taps  
Rubinetti  
Wasserhähne

**BARAZZA**  
W3 W4

W1: Chrome / Cromato / Chrom  
W2: Black / Nero / Schwarz  
W3: Barazza Inox Satin  
W4: Barazza Inox Vintage



Product / Prodotto / Produkt

Packaging / Imballo / Verpackung

No.	Code	Brand code	Dimensions (w-d-h)	Weight	Dimensions (w-d-h)	Weight
N.	Codice	Codice marca	Dimensioni (l-p-h)	Peso	Dimensioni (l-p-h)	Peso
Nr.	Code	Herstellercode	Abmessungen (b-t-h)	Gewicht	Abmessungen (b-t-h)	Gewicht

Drawer kits (surcharge on the door price) / Kit cassetti (sovrapprezzo costo anta) / Schubladen-Set (Zuschlag auf den Türpreis)

<b>N1</b>	FRK21C1	-	60 55 60	13	63 58 63	14
<b>N2</b>	FRK22C2	-	60 55 60	15	63 58 63	16
<b>N3</b>	FRK23C3	-	60 55 60	20	63 58 63	21

Aluminum cutlery dividers / Divisori portaposate in alluminio / Besteckteiler aus aluminium

-	FRK09DP	-	48 8 5	1	50 10 6	1
---	---------	---	--------	---	---------	---

Additional shelf / Ripiano aggiuntivo / Zusätzlicher Einlegeboden

-	FRK10RI	-	57 46 2	3	50 10 6	3
---	---------	---	---------	---	---------	---

Hobs / Piani cottura / Kochfelder

<b>P1</b>	FRB05	1PIDG64	58 51 5.2	12	87 60 13	14
<b>P2</b>	FRB06	1PID32NQ	29 51 5.4	6	39 60 13	10
<b>P3</b>	FRE04	KTI6430E	59 52 6.5	12	80 60 15	14
<b>P4</b>	FRE02	EHH3320NOK	27 49 6.5	6	48 60 15	10
<b>Q</b>	FRE01	-	56 56 19.5	-	- - -	-

Appliances / Elettrodomestici / Haushaltsgeräte

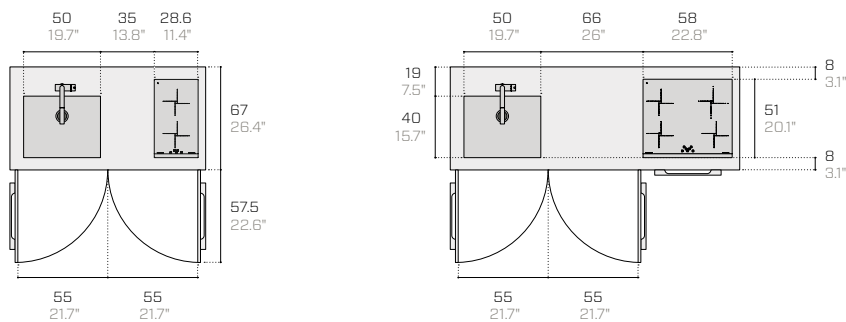
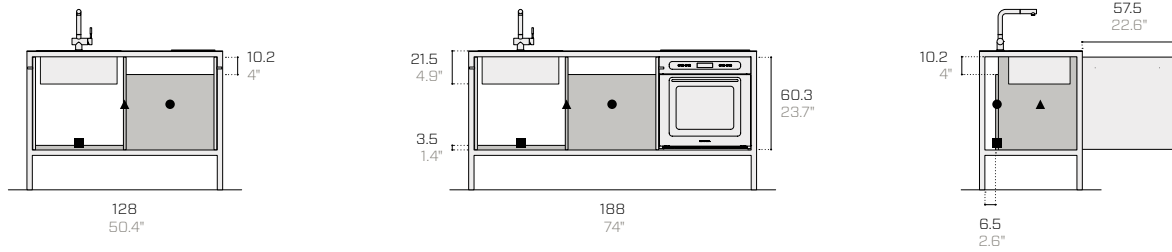
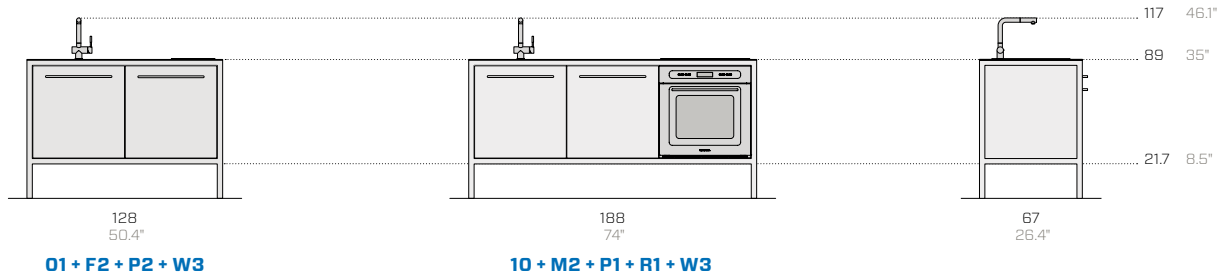
<b>R1</b>	FRB02V	1FUNPV	60 61 60	35	64 64 68	39
<b>R2</b>	FRE03	FQ203IXEV	60 60 55	33	64 64 68	37
<b>R3</b>	FRE05	BEK455220M	60 60 55	33	64 64 68	37
<b>S1</b>	FRE11	MBE2658D-M	60 53 60	28	66 54 53	31
<b>S2</b>	FRE12	KKK884500M	60 53 60	28	66 54 53	31
<b>S3</b>	FRE13	KWK884520M	60 53 60	28	66 54 53	31
<b>T</b>	FRB04-LA	STC75	56 55 58	40	60 59 62	42

Accessories / Accessori / Zubehör

<b>U</b>	FRB08S	-	53 43 22	5	60 50 27	8
<b>V</b>	FRB11	-	47 45 1	1	50 8 8	1
<b>W1</b>	FRB10C	-	13 26 27	5	59 25 10	8
<b>W2</b>	FRB10N	-	13 26 27	5	59 25 10	8
<b>W3</b>	FRB10S	-	13 26 27	5	59 25 10	8
<b>W4</b>	FRB10V	-	13 26 27	5	59 25 10	8

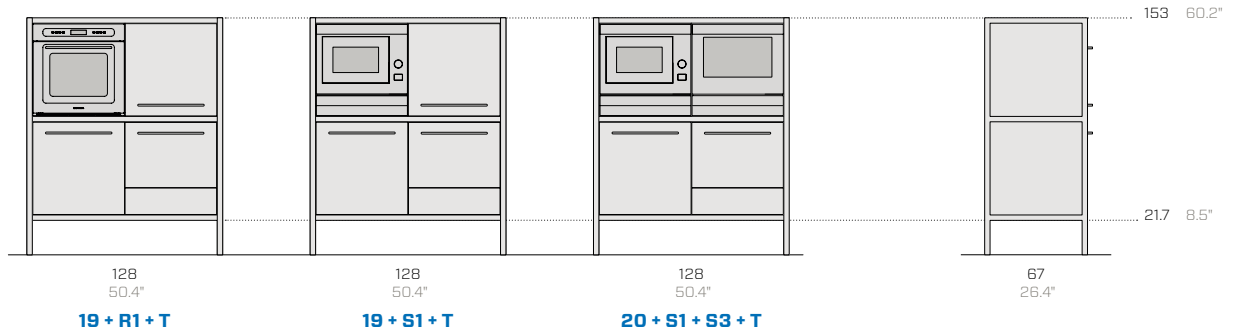
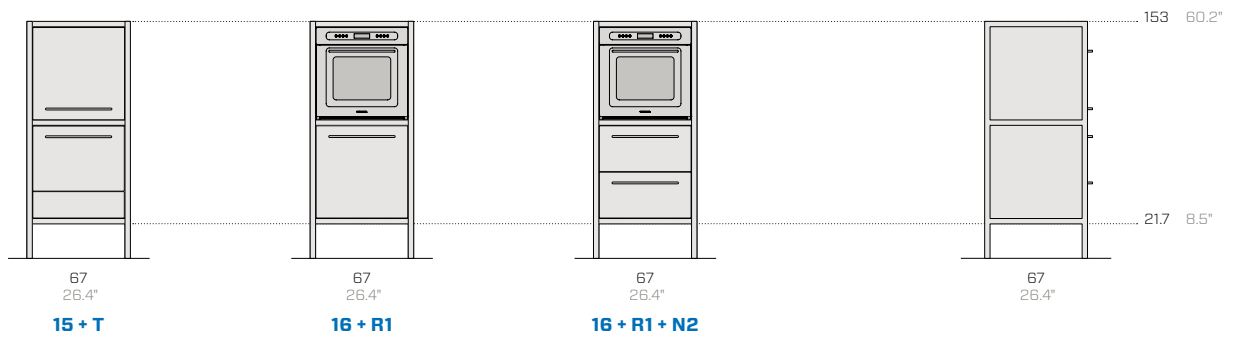


Configuration examples and details / Esempi di configurazione e dettagli / Konfigurationsbeispiele und Details

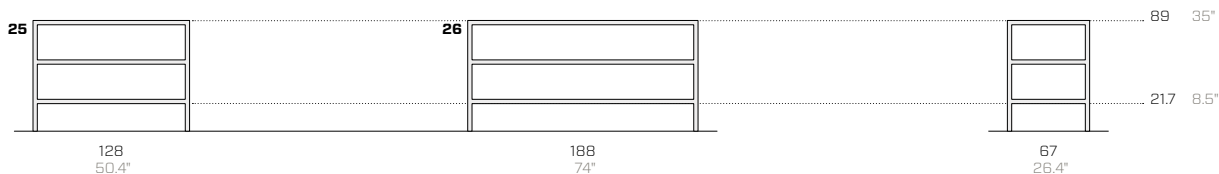


- Removable plinth H 3.5 or 8 cm  
Zoccolo rimovibile H 3.5 o 8 cm  
Entfernbarer Sockel H 3.5 oder 8 cm
- ▲ Removable divider  
Divisore rimovibile  
Entfernbares seitliches Trennelement
- Removable back panel  
Schiena rimovibile  
Entfernbare Rückwand

Configuration examples / Esempi di configurazione / Konfigurationsbeispiele



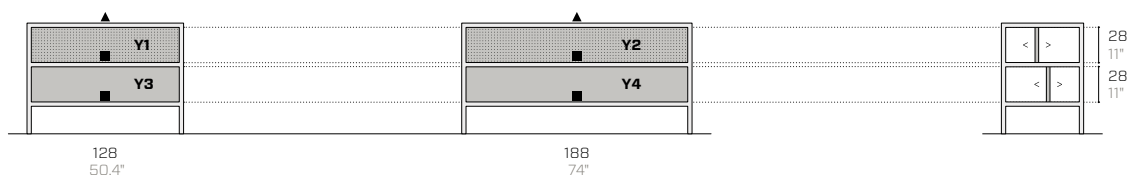
**Bases / Basi / Basen**



**Top / Top / Abdeckung**

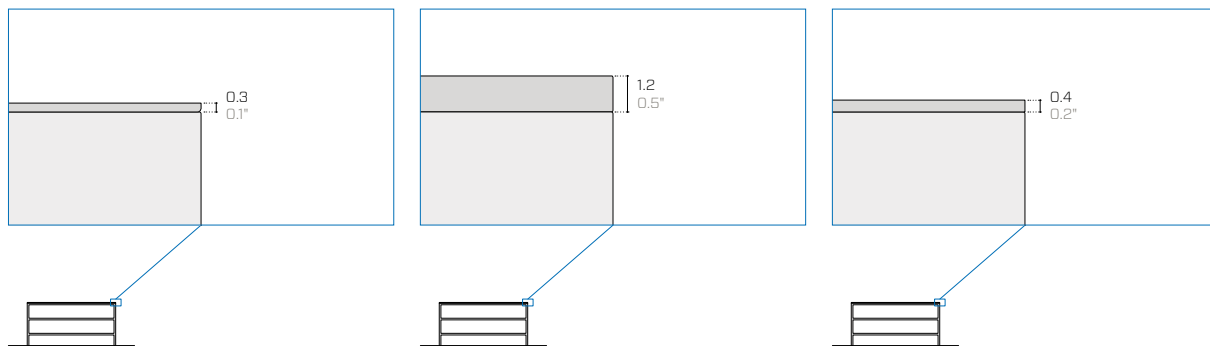


**Accessories and details / Accessori e dettagli / Zubehör und Details**



- ▲ Top (available in 4 versions)  
Top (disponibile in 4 versioni)  
Abdeckung (in 4 Versionen erhältlich)
- Lower shelves in metal (not replaceable)  
Ripiani inferiori in metallo (non sostituibili)  
Untere Regale aus Metall (nicht austauschbar)
- U. Full or perforated separator (freely positionable)  
Separatore pieno o forato (liberamente posizionabile)  
Voller oder perforierter Separator (frei positionierbar)

**Top thickness / Spessore del top / Plattenstärke**



Metal top  
Top in metallo  
Abdeckung aus Metall

Fenix top  
Top in Fenix  
Abdeckung aus Fenix

Stainless steel top  
Top in acciaio  
Abdeckung aus Edelstahl

Product / Prodotto / Produkt					Packaging / Imballo / Verpackung					
No.	Code	Dimensions (w-d-h)			Weight	Dimensions (w-d-h)			Weight	Vol pkg
N.	Codice	Dimensioni (l-p-h)			Peso	Dimensioni (l-p-h)			Peso	Vol. collo
Nr.	Code	Abmessungen (b-t-h)			Gewicht	Abmessungen (b-t-h)			Gewicht	Vol. Kollo
				cm	kg			cm	kg	mc
<b>Bases / Basi / Basen</b>										
<b>25</b>	FR88	128	67	89	60	150	80	107	103	1.20
<b>26</b>	FR81	188	67	89	75	200	80	107	118	1.70
Metal top / Top in metallo / Abdeckung aus Metall										
<b>X1</b>	FR88TOPS	128	67	0.3	16	132	71	10	20	0.20
<b>X2</b>	FR81TOPS	188	67	0.3	23	192	71	10	28	0.20
Food-grade tops are found at the Finishes page / Top a uso alimentare indicati nella pagina Finishes / Die Lebensmittel-geeignete Abdeckungen sind auf der Seite Finishes angegeben										
Fenix top / Top in Fenix / Mit Platte in Fenix										
<b>X3</b>	FRB21F	128	67	1.2	14	143	82	17	19	0.30
<b>X4</b>	FRB51F	188	67	1.2	19	203	82	17	24	0.30
Satin finish stainless steel top (Barazza) / Top in acciaio Inox finitura satinata (Barazza) / Abdeckung in Edelstahl mit Satin-Finish (Barazza)										
<b>X5</b>	FRB31F	128	67	0.4	28	137	80	21	50	0.40
<b>X6</b>	FRB61S	188	67	0.4	40	197	80	21	50	0.40
Vintage finish stainless steel top (Barazza) / Top in acciaio Inox finitura Vintage (Barazza) / Top in Edelstahl mit Vintage-Finish (Barazza)										
<b>X7</b>	FRB41V	128	67	0.4	28	137	80	21	50	0.40
<b>X8</b>	FRB71V	188	67	0.4	40	197	80	21	50	0.40
Perforated separator / Separatore forato / Perforierter Separator										
<b>Y1</b>	FRK05SF	128	67	4	4	132	32	5	9	0.11
<b>Y2</b>	FRK06SF	188	28	4	5	192	32	5	10	0.11
Full separator / Separatore pieno / Voller Separator										
<b>Y3</b>	FRK07SF	128	67	4	5	132	32	5	9	0.11
<b>Y4</b>	FRK08SF	188	28	4	6	192	32	5	10	0.11
Wheel kit with discs matching the product colour / Kit ruote con dischi in tinta con il prodotto / Radsatz mit Scheiben, die der Produktfarbe entsprechen										
-	FRK31R8	8	3.5	11	-	-	-	-	-	-

## Metal essentials

	<p><b>01.18</b> <b>Black (RAL 9005)</b> Nero / Schwarz --- <b>MT</b> <b>EM</b> ▲ ■</p>		<p><b>08.20</b> <b>Rose quartz</b> Rosa quarzo / Rosenquarz --- <b>EM</b> ▲</p>		<p><b>15.19</b> <b>Forest green (RAL 6007)</b> Verde bosco / Waldgrün --- <b>EM</b> ▲ ●</p>
	<p><b>02.18</b> <b>Anthracite (RAL 7021)</b> Antracite / Anthrazit --- <b>MT</b> <b>EM</b> ▲ ● ■</p>		<p><b>09.18</b> <b>Ruby red (RAL 3003)</b> Rosso rubino / Rubinrot --- <b>MT</b> <b>EM</b> ▲</p>		<p><b>16.19</b> <b>Turquoise blue (RAL 5018)</b> Blu turchese / Türkisblau --- <b>EM</b> ▲</p>
	<p><b>03.18</b> <b>Fantin grey</b> Grigio Fantin / Fantin-Grau --- <b>EM</b> ▲ ● ■</p>		<p><b>10.18</b> <b>Traffic red (RAL 3020)</b> Rosso traffico / Verkehrsrot --- <b>MT</b> <b>EM</b> ▲</p>		<p><b>17.18</b> <b>Pastel blue (RAL 5024)</b> Blu pastello / Pastellblau --- <b>MT</b> <b>EM</b> ▲ ●</p>
	<p><b>04.18</b> <b>Light grey (RAL 7035)</b> Grigio luce / Lichtgrau --- <b>MT</b> <b>EM</b> ▲ ■</p>		<p><b>11.18</b> <b>Pure orange (RAL 2004)</b> Arancio puro / Reinorange --- <b>MT</b> <b>EM</b> ▲</p>		<p><b>18.20</b> <b>Serenity</b> Serenity / Serenity --- <b>MT</b> <b>EM</b> ▲</p>
	<p><b>05.19</b> <b>Cloud grey</b> Grigio nuvola / Wolkengrau --- <b>EM</b> ▲ ● ■</p>		<p><b>12.19</b> <b>Zinc yellow (RAL 1018)</b> Giallo zinco / Zincksgelb --- <b>EM</b> ▲</p>		<p><b>19.18</b> <b>Gentian blue (RAL 5010)</b> Blu genziana / Enzianblau --- <b>MT</b> <b>EM</b> ▲</p>
	<p><b>06.18</b> <b>White (RAL 9016)</b> Bianco / Weiß --- <b>MT</b> <b>EM</b> ▲ ■</p>		<p><b>13.19</b> <b>Mint green (RAL 6024)</b> Verde menta / Minzgrün --- <b>EM</b> ▲</p>		<p><b>20.19</b> <b>Steel blue (RAL 5011)</b> Blu acciaio / Stahlblau --- <b>EM</b> ▲</p>
	<p><b>07.18</b> <b>Pearl white (RAL 1013)</b> Bianco perla / Perlweiß --- <b>MT</b> <b>EM</b> ▲ ■</p>		<p><b>14.18</b> <b>Sage green (RAL 6021)</b> Verde salvia / Salbeigrün --- <b>MT</b> <b>EM</b> ▲</p>		

## Legend / Legenda / Legende

MT Matt / Opaco / Matt

EM Embossed / Goffrato / Gaufriert

▲ For tops / Per i top / Für die Abdeckungen

● For outdoor use / Per esterni / Für den Außenbereich

■ For food use / Per uso alimentare / Für den Lebensmittelgebrauch

## Metal design\*

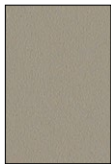
## Ultra-matt\*



**31.18  
Cocoa**  
Cacao / Kakao  
---  
**UM**



**32.18  
Dove grey**  
Tortora / Taubengrau  
---  
**UM**



**33.18  
Hemp**  
Canapa / Hanf  
---  
**UM**



**34.18  
Smoke**  
Fumo / Rauchen  
---  
**UM**



**35.18  
Night**  
Notte / Nacht  
---  
**UM**

## Metallic\*



**41.18  
Gold**  
Oro / Gold  
---  
**EM ▲**



**42.19  
Ruggine**  
Rust / Rost  
---  
**EM ▲●**



**43.18  
Bronze**  
Bronzo / Bronze  
---  
**EM**



**44.18  
Iron**  
Ferro / Eisen  
---  
**EM ▲●**



**45.18  
Verdigris**  
Verderame / Grünspan  
---  
**EM ▲●**

## Earth\*



**51.18  
Sand**  
Sabbia / Sand  
---  
**EM ▲●**



**52.18  
Moss**  
Muschio / Moos  
---  
**EM ▲●**



**53.18  
Basalt**  
Basalto / Basalt  
---  
**EM ▲●**



**54.18  
Stone**  
Pietra / Stein  
---  
**EM ▲●**



**55.18  
Amethyst**  
Ametista / Amethyst  
---  
**EM ▲●**

---

**Legend / Legenda / Legende**


---

**UM** Ultra matt / Ultra opaco / Ultra matt

**EM** Embossed / Goffrato / Gaufriert

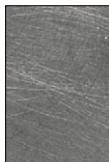
---

▲ For tops / Per i top / Für die Abdeckungen

● For outdoor use / Per esterni / Für den Außenbereich

---

## Inox Barazza


**K1.18**  
**Inox Vintage**

Inox Vintage / Inox Vintage

---

**HG** ▲ ● ■
**K2.19**  
**Inox Satin**

Inox satinato / Inox satiniert

---

**HG** ▲ ● ■

Barazza uses AISI 304 steel, which combines exceptional corrosion resistance with superb hygienic properties. Two finishes are available: classic satin and exclusive vintage. The latter is the result of manual surface processing that makes each item unique and inimitable. The material is recyclable and free from toxic emissions.

Gli acciai di Barazza sono AISI 304, garanzia di eccezionale resistenza alla corrosione ed elevato livello di igiene. Le finiture sono il classico satinato o l'esclusiva vintage, creata grazie alla lavorazione manuale della superficie, che rende ogni pezzo unico e irripetibile. Un materiale riciclabile e privo di emissioni tossiche.

Der Edelstahl Barazza AISI 304 garantiert eine hervorragende Korrosionsbeständigkeit und ein hohes Maß an Hygiene. Die Oberflächen im klassischen satinierten Stil oder in exklusiver Vintage-Optik wurden manuell bearbeitet, sodass jedes Stück einmalig und einzigartig ist. Das Material ist recycelbar und frei von giftigen Emissionen.

---

**Legend / Legenda / Legende**


---

**HG** High Gloss / Lucido / Glänzend

- 
- ▲ For tops / Per i top / Für die Abdeckungen
  - For outdoor use / Per esterni / Für den Außenbereich
  - For food use / Per uso alimentare / Für den Lebensmittelgebrauch
-



Fenix NTM™

Matching Fenix NTM™ / Fantin finishes  
 Corrispondenze Fenix NTM™ / finiture Fantin  
 Entsprechungen Fenix NTM™ / Oberflächen Fantin

**F1.19**  
**Nero Ingo**  
 ---  
 UM ▲ ■

**F2.19**  
**Bianco Kos**  
 ---  
 UM ▲ ■

**F3.19**  
**Cacao Orinoco**  
 ← →  
 UM ▲ ■

**31.18**  
**Cocoa**  
 Cacao / Kakao  
 ---  
 UM

**F4.19**  
**Grigio Londra**  
 ← →  
 UM ▲ ■

**32.18**  
**Dove grey**  
 Tortora / Taubengrau  
 ---  
 UM

**F5.19**  
**Beige Arizona**  
 ← →  
 UM ▲ ■

**33.18**  
**Hemp**  
 Canapa / Hanf  
 ---  
 UM

**F6.19**  
**Grigio Bromo**  
 ← →  
 UM ▲ ■

**34.18**  
**Smoke**  
 Fumo / Rauchen  
 ---  
 UM

**F7.19**  
**Blu Fes**  
 ← →  
 UM ▲ ■

**35.18**  
**Night**  
 Notte / Nacht  
 ---  
 UM

Fenix NTM™ **F1.19** (Nero Ingo) and **F2.19** (Bianco Kos) tops can be combined with all Fantin finishes. The remaining 5 Fenix NTM™ finishes (from **F3.19** to **F7.19**) are exactly matching to the Ultra-matt "Metal Design" collection in terms of shade, opacity and softness to the touch. Therefore, it is possible to obtain monochromatic products with solid Fantin metal structures combined with resistant and restorable Fenix NTM™ tops.

I top in Fenix NTM™ **F1.19** (Nero Ingo) e **F2.19** (Bianco Kos) sono abbinabili a tutte le finiture Fantin. Le restanti 5 finiture Fenix NTM™ (da **F3.19** a **F7.19**) sono esattamente corrispondenti alla collezione Fantin Ultra-matt "Metal Design" per colore, opacità e morbidezza al tatto: è così possibile ottenere prodotti monocromatici dalle solide strutture in metallo Fantin e con top resistenti e ripristinabili in Fenix NTM™.

Fenix Arbeitsplatte NTM™ **F1.19** (Nero Ingo) und **F2.19** (Bianco Kos) Können mit allen Fantin-Ausführungen kombiniert werden. Die restlichen 5 Fenix NTM™ Ausführungen (von **F3.19** bis **F7.19**) stimmen genau überein zu den ultra-matten Farben der Fantin Ultra Matt-"Metal Design"-Kollektion für Farbe, Deckkraft und Weichheit bei der Berührung. Dies ermöglicht es, monochromatische Produkte mit festen Fantin-Metallstrukturen zu erhalten zusammen mit widerstandsfähigen und restaurierbaren Fenix NTM™-Arbeitsplatte.

Legend / Legenda / Legende

UM Ultra matt / Ultra opaco / Ultra matt

- ▲ For tops / Per i top / Für die Abdeckungen
- For food use / Per uso alimentare / Für den Lebensmittelgebrauch

**Kitchens and workbenches from the Frame range, with a visible support structure and inset doors and drawers that are distinguishing visual features of the minimal design scheme.**

**Frame** made of 35 x 35 mm (1.38" x 1.38") square tubes. Concealed adjustable feet.

**Top** made of Fenix with a thickness of 12 mm (0.47") or AISI 304 stainless steel filler panel with a thickness of 4 mm (0.16") with satin or Vintage finish (with exclusive Barazza manual processing). Also available with integrated 500 x 400 x 219 mm (19.69" x 15.75" x 8.62") sink.

**Top** (only for workbenches) made of metal with a thickness of 3 mm (0.12") and a bottom fibreboard filler panel.

**Doors** inset in the frame, made of bent and filled sheet metal. Door thickness: 20 mm (0.79"). Metal handles with a coating in a colour to match the doors. Soft-close dampening hinges.

**Drawers** with fronts inset in the frame, made of bent and filled sheet metal. Drawer front thickness: 20 mm (0.79"). Metal handles with a coating in a colour to match the drawer fronts. Drawers with Hettich runners and built-in stabilization and soft-close systems. Capacity: 40 kg (88.18 lb).

**Sides and bases** inset in the frame, made of bent and filled sheet metal.

**Metal backboards** inset in the frame.

**Inside shelves** made of bent sheet metal.

**Optional appliances and accessories** from AEG, Barazza, Electrolux, Smeg.

The kitchens are ready assembled (except for the tops). The tall units (except those with a height of 213 cm) are ready assembled.

Kitchens and Workbenches are also available for outdoor use, thanks to a cathodolysis treatment that prevents the rust formation.

**Cucine e banconi del programma Frame, caratterizzato dal telaio portante in vista ed ante e cassetti in luce, che diventano caratteristiche estetiche dal design minimale.**

**Telaio** in tubolare quadrato 35 x 35 mm (1.38" x 1.38"). Piedini invisibili regolabili.

**Top** in Fenix di spessore 12 mm (0.47") o in acciaio Inox AISI 304 di spessore 4 mm (0.16") con finitura satinata o Vintage (lavorazione manuale esclusiva Barazza). Disponibile anche con vasca integrata 500 x 400 x 219 mm (19.69" x 15.75" x 8.62").

**Top** in metallo (solo per banconi) in metallo di spessore 3 mm (0.12") con tamponamento inferiore in fibre di legno.

**Ante** in luce al telaio, in lamiera piegata e tamponata. Spessore delle ante 20 mm (0.79"). Maniglie in metallo verniciate in tinta con le ante. Cerniere ammortizzate.

**Cassetti** con frontali in luce al telaio spessore 20 mm (0.79"), in lamiera piegata e tamponata. Maniglie in metallo verniciate in tinta con i frontali dei cassetti. Cassetti con guide Hettich, sistemi di stabilizzazione e soft-close integrati con portata 40 kg (88.18 lb).

**Fianchi e fondi** in luce al telaio, in lamiera piegata e tamponata.

**Schiene** in metallo in luce al telaio.

**Ripiani** interni in lamiera piegata.

**Elettrodomestici e accessori opzionali** AEG, Barazza, Electrolux, Smeg.

Le cucine vengono fornite montate (top escluso). Le colonne vengono fornite montate ad esclusione di quelle H 213.

Cucine e banconi sono disponibili anche per esterni, grazie a un trattamento di cataforesi che previene la formazione della ruggine.

**Küchen und Werkbänke aus der Frame-Linie mit sichtbarem Tragegestell und bündigen Türen und Schubladen, die zu den ästhetischen Eigenschaften eines Minimaldesigns werden.**

**Gestell** aus Vierkantrohr 35 x 35 mm (1.38" x 1.38"). Unsichtbare, einstellbare Füße.

**Abdeckung** in Fenix, Stärke 12 mm (0.47") oder Beschichtung aus Edelstahl CNS AISI 304 in Stärke 4 mm (0.16") mit Satin- oder Vintage-Finish (exklusive Handverarbeitung Barazza). Ebenfalls verfügbar mit integriertem Waschbecken 500 x 400 x 219 mm (19.69" x 15.75" x 8.62").

**Abdeckung** (nur für Werkbänke) aus 3 mm (0.12") starkem Metall mit unterer Holzfaserdämmung.

**Türen** aus gedämmtem Falzblech, bündig mit dem Gestell. Stärke der Türen 20 mm (0.79"). Lackierte Metallgriffe gleichfarbig mit den Türen. Gedämpfte Scharniere.

**Schubladen** aus gedämmtem Falzblech, mit Fronten bündig mit dem Gestell. Schubladenfrontstärke: 20 mm (0.79"). Lackierte Metallgriffe gleichfarbig mit den Schubladenfronten. Schubladen mit Führungsschienen Hettich mit Stabilisations- und Soft-Close-Systemen und mit einer Tragfähigkeit von 40 kg (88.18 lb).

**Seiten und Basen** aus gedämmtem Falzblech, bündig mit dem Gestell.

**Rückwände** aus Metall, bündig mit dem Gestell.

**Innere Einlegeböden** aus Falzblech.

**Optionales Haushaltsgeräte und Zubehör** von AEG, Barazza, Electrolux, Smeg.

Die Küchen werden montiert geliefert (ohne Abdeckungen). Die Säulen werden mit Ausnahme der H 213 montiert geliefert.

Dank einer Kataphoresebehandlung, die die Rostbildung verhindert, sind auch Küchen und Werkbänke für den Außenbereich erhältlich.

**Disclaimer / Esclusione di responsabilità / Haftungsausschluss**

Fantin Srl reserves the right to change the dimensions and features of the products contained in this technical data sheet at any time and without prior notice. The finishes illustrated are purely indicative as the accuracy tolerances of printing processes should be taken into account.

Fantin Srl si riserva la facoltà di modificare in qualsiasi momento e senza preavviso le dimensioni e l'esecuzione dei prodotti contenuti nella presente scheda tecnica. Le finiture riportate hanno valore indicativo in quanto soggette alle tolleranze dei processi di stampa.

Fantin Srl behält sich das Recht vor, die angegebenen Maße und Ausführungen der Produkte, welche dieses Produktblatt enthält, jederzeit ohne Vorankündigung zu ändern. Aufgrund drucktechnischer Abweichungen dienen die dargestellten Ausführungen nur der Illustration.

**Fantin Srl**

via San Vito, 43  
33080 - Bannia  
di Fiume Veneto (PN)  
Italia

t +39 0434 959 133  
f +39 0434 560 037  
fantin@fantin.com  
www.fantin.com



UNI EN ISO 9001